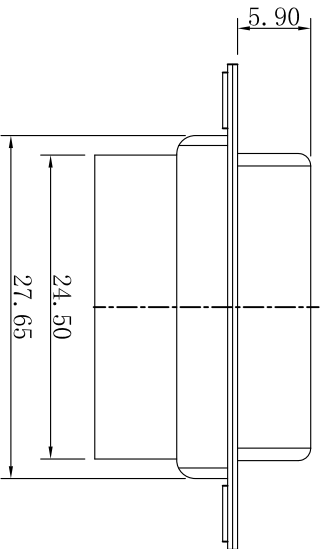
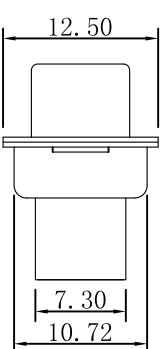
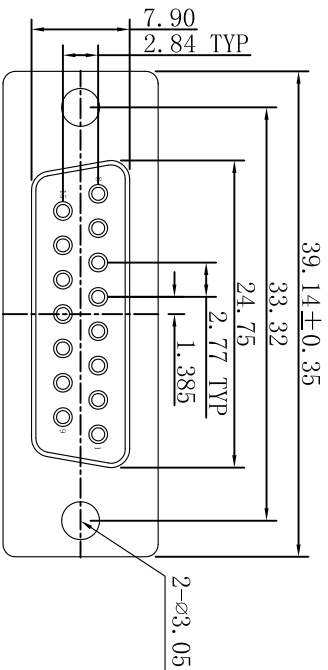
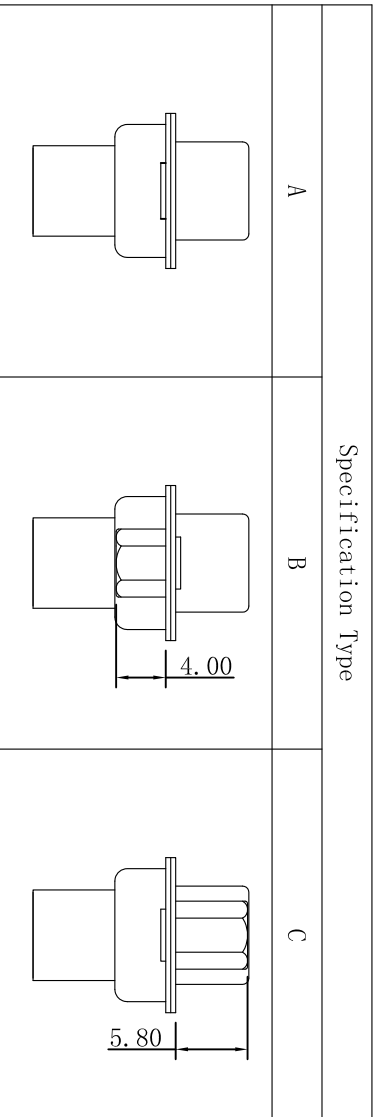


GP Component



Specification Type



REV.	ECN NO.	LOCATIONS	DESCRIPTION	DATE	DESIGN
A0			原始版本(INITIAL EDITION)	2021.01.04	m t

CHARACTERISTICS:

1. RATED VOLTAGE: 250V
2. RATED CURRENT: 3.0AMP
3. CONTACT RESISTANCE: 30mΩ Max.
4. INSULATION RESISTANCE: 1000 MΩ MIN. 500V DC
5. Electric Pressure: Keeping 60 second in AC 500V/1mA
6. Operating temperature: -55℃~105℃
7. INSERTION/EXTRACTION FORCE PER CONTACT: 5.0Kg Max
0.45Kg Min.

01.DEC015 F X XXX XX A XXX

PIN Poles	15:15PIN				
M/F Differentiates	M=Male F=Female				
Hsg Color	3=Blue 5=Yellow 1=Black 4=Green 6=Purple				
Plating	G00:Gold flash G01:Gold 1U" G03:Gold 3U" Gxx:Gold XXU"	B00:Bright sn B01:Bright sn 1U" B03:Bright sn 3U" Bxx:Bright sn XXU"	M00:Matte sn M01:Matte sn 1U" M03:Matte sn 3U" Mxx:Matte sn XXU"		

UNTR: mm [inch]		东莞市跃展精密连接器有限公司 Dongguan YueZhan Precision Connectors Co.,Ltd	
		DESIGN: 车涛 2021.01.04	PART NAME: DEC 15F系列图
TOLERANCE: X.X ±0.35 X.XX ±0.25 X.XXX ±0.15 Angle ±3.0°	CHECKED: 车涛 2021.01.04	PART NO. 01.DEC015FXXXXXXXXXX	DRAW NO.
SCALE:1:1 SIZE:A4	APPROVED: 车涛 2021.01.04	SHEET NO. 01 OF 01	