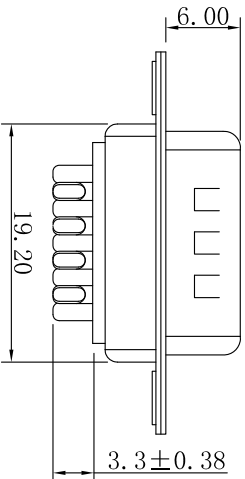
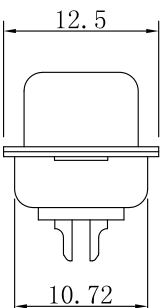
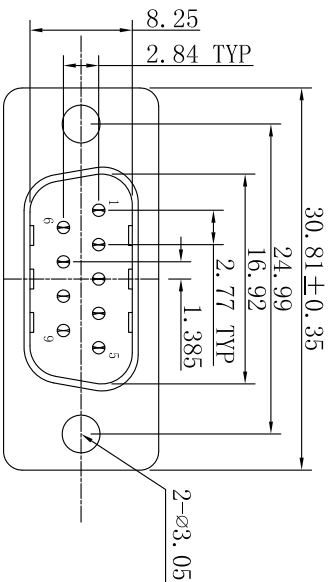
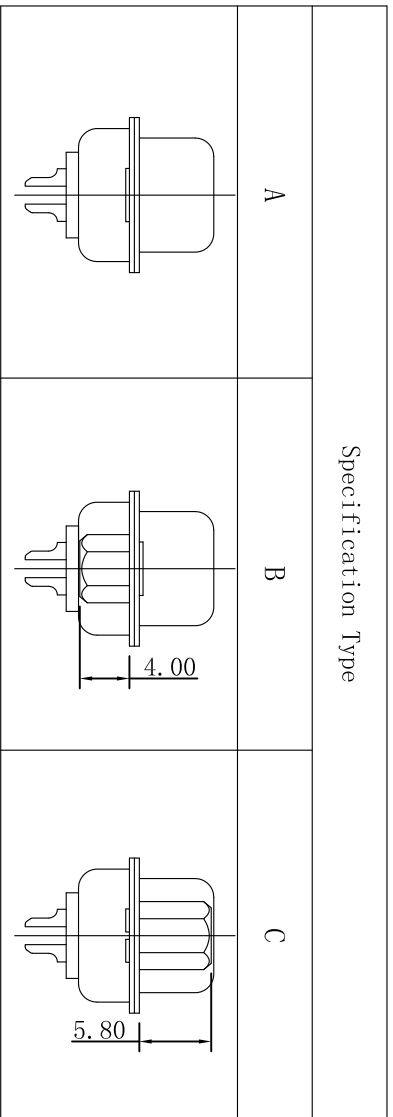


GP Component



Specification Type



REV.	ECN NO.	LOCATIONS	DESCRIPTION	DATE	DESIGN
AO			原始版本(INITIAL EDITION)	2020.12.01	m t

CHARACTERISTICS/特性:

1. RATED VOLTAGE: 250V AC CD
2. RATED CURRENT: 3.0AMP
3. CONTACT RESISTANCE: 30mΩ Max.
4. INSULATION RESISTANCE: 1000 MΩ MIN. 500V DC
5. Electric Pressure: Keeping 60 second in AC 500V/1mA
6. Operating temperature: -55°C~105°C
7. INSERTION/EXTRACTION FORCE PER CONTACT: 3.0Kg Max 0.3Kg Min.

01.DB0009 M X XXX XX A XXX

PIN Poles	09:9PIN	M/F Differentiates	M=Male F=Female	Hsg Color	1=Black 3=Blue 5=Yellow 2=White 4=Green 6=purple	Plating	G00:Gold flash G01:Gold 1U" G03:Gold 3U" Gxx:Gold XXU"	B00:Bright sn B01:Bright sn 1U" B03:Bright sn 3U" Bxx:Bright sn XXU"	M00:Matte sn M01:Matte sn 1U" M03:Matte sn 3U" Mxx:Matte sn XXU"
Water Code		Specification Type		Hsg Material	H1=PB1 HF H4=PA66 HF I0=PB1 I3=PA66				

	DESIGN:	2020.12.01	 东莞市跃展精密连接器有限公司 Dongguan YueZhan Precision Connectors Co.,Ltd	PART NAME: DB 9M系列图
	CHECKED:	2020.12.01		
TOLERANCE:	X.X ±0.35 X.XX ±0.25 X.XXX ±0.15 Angle ±3.0°	APPROVED:	2020.12.01	PART NO. 01.DB0009MXXXXXXXXXX DRAW NO. SHEET NO. 01 OF 01
SCALE:1:1	SIZE:A4			