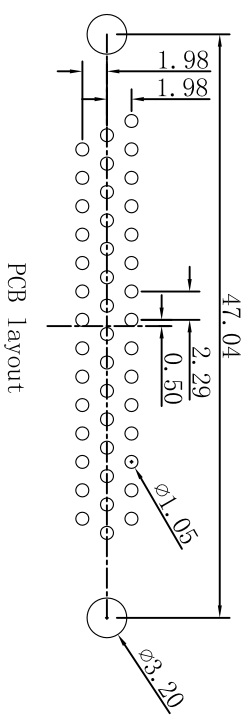
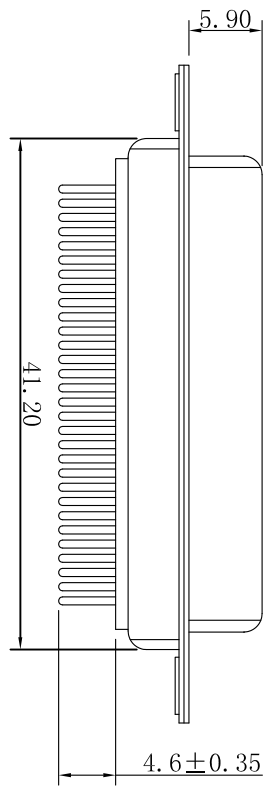
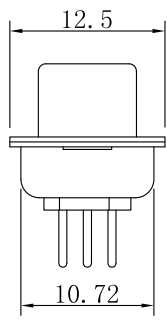
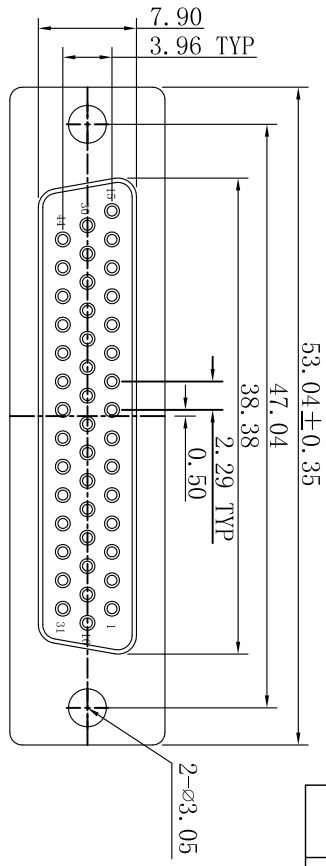
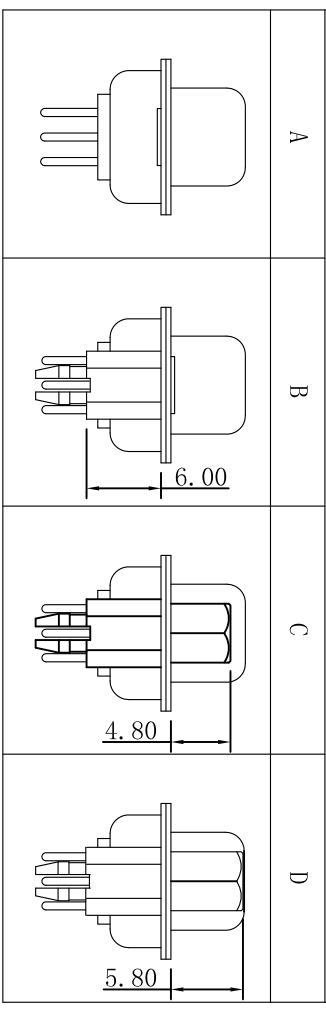


# GP Component

REV.	ECN NO.	LOCATIONS	DESCRIPTION	DATE	DESIGN
A0			原始版本(INITIAL EDITION)	2020.12.13	m t



Specification Type



### CHARACTERISTICS:

1. RATED VOLTAGE: 250V AC CD
2. RATED CURRENT: 3.0AMP
3. CONTACT RESISTANCE: 30mΩ Max.
4. INSULATION RESISTANCE: 1000 MΩ MIN. 500V DC
5. Electric Pressure: Keeping 60 second in AC 500V/1mA
6. Operating temperature: -55°C~105°C
7. INSERTION/EXTRACTION FORCE PER CONTACT: 9.08Kg Max 0.78Kg Min.

### 01.HDP044 F X XXX XX A XXX

PIN Poles	44:44PIN	M/F Differentiates	M=Male F=Female	Hsg Color	1=Black 3=Blue 5=Yellow 2=White 4=Green 6=Purple	Plating	G00:Gold flash G01:Gold 1U" G03:Gold 3U" Gxx:Gold XXU"	B00:Bright sn B01:Bright sn 1U" B03:Bright sn 3U" Bxx:Bright sn XXU"	M00:Matte sn M01:Matte sn 1U" M03:Matte sn 3U" Mxx:Matte sn XXU"
Water Code		Specification Type		Hsg Material	H1=PB1 HF H4=PA66 HF I0=PB1 I3=PA66				

东莞市跃展精密连接器有限公司  
Dongguan YueZhan Precision Connectors Co., Ltd

UNITS: mm [inch]	DESIGN: 2020.12.13	PART NAME: HDP 44P系列图
TOLERANCE: X.X ±0.35 X.XX ±0.25 X.XXX ±0.15 Angle ±3.0°	CHECKED: 2020.12.13	PART NO. 01.HDP044PXXXXXXXXXX
SCALE:1:1 SIZE:A4	APPROVED: 2020.12.13	DRAW NO. 01 OF 01